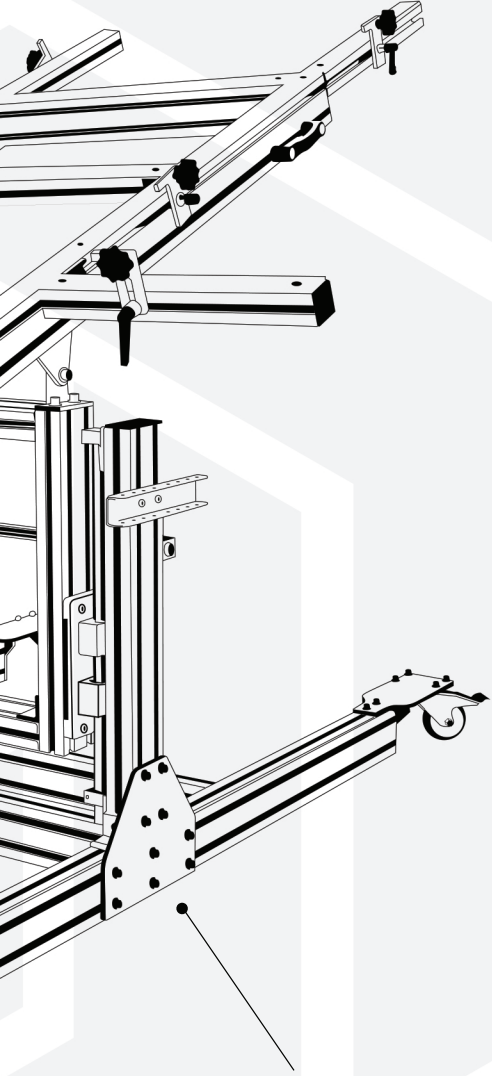


It can be easily placed anywhere desired. When not in use, it takes up minimal space. The four lockable swivel wheels provide ease of movement. Mounting plates can be flexibly secured using a clamping system.



The installation table can be expanded to provide a maximum area of 300 mm.

For the installation of panels and boards, it is a mobile unit with adjustable tilt and height according to the type.

# senogate

## ***Innovative Solutions that Increase Efficiency***

This solution offers practical and ergonomic installation options with different angle and height adjustments, optimizing your work processes and significantly increasing your efficiency. Its innovative design ensures maximum comfort and productivity in all kinds of installation tasks. With adjustable features, it adapts to any application, lightens your workload, and makes the installation process faster and more effective.

Samurtek Automation Electrical Electronics Machinery Industry & Trade Inc. offers a wide range of services in the field of industrial automation and computer-based control systems. Using technological devices such as SCADA & PLC systems, servo motor and CNC systems, MCC panels, and control systems, it provides automation solutions in the cement, feed, food, and ready-mix concrete sectors. Prioritizing customer goals and needs, it conducts project-based work, system improvements, and R&D support with a young and dynamic team. Within the framework of total quality management, it aims for low cost, error-free production, and timely delivery while also giving great importance to worker health and environmental protection.

**SAMURTEK**  
Otomasyon Sistemleri / Automation Systems

## Adjustable Tilt and Height **ELECTRICAL PANEL INSTALLATION TABLE**



# senogate

**SAMURTEK**  
Otomasyon Sistemleri / Automation Systems

[www.samurtek.com.tr](http://www.samurtek.com.tr)



The ability to adjust the height and angle of the mounting table according to the workers' needs enhances productivity. With its portable and movable design, this mounting table facilitates the assembly of panels of various sizes.

# senogate

**SCAN THE QR CODE TO  
ACCESS THE 3D VIEW  
OF THE PRODUCT.**



*By scanning the QR code, you can  
easily access a 3D view of the  
product.*



Fevziçakmak Mah. Medcezir Cd. No: 27 A 42050  
Karatay/Konya

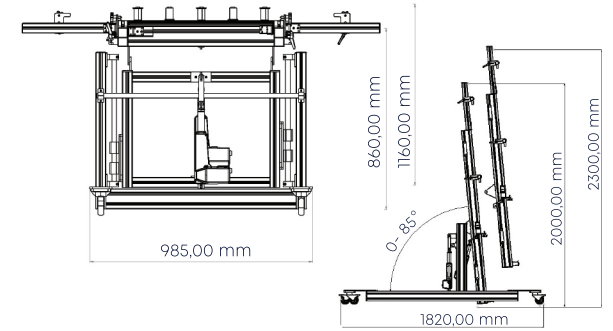


+90 (332) 606 08 00

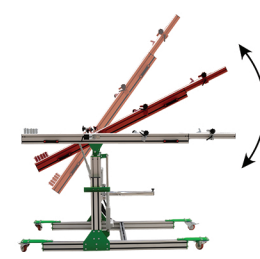


info@samurtek.com.tr  
satis@samurtek.com.tr

**SAMURTEK**  
Otomasyon Sistemleri / Automation Systems



Max. Load Capacity	200 kg
Panel Mounting Area	1900 mm X 1550 mm
Max. Working Angle	0-85°
Max. Angular Axis Speed	20 mm / s
Max. Z-Axis Feed Speed	20 mm / s
Z-Axis Working Stroke	300 mm
Total Weight	70 KG
Max. Power	4,5 A
Shipping Dimensions	990mm x 1780mm x 900mm



0-85° Angled Work Table



300 mm Height



Ease of Storage



Ergonomic Design